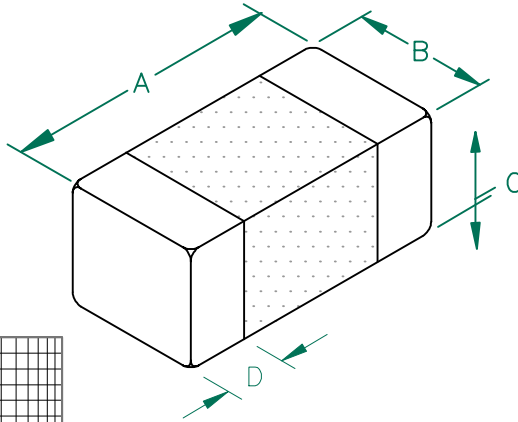


# LI0603E470R-10

**UNCONTROLLED DOCUMENT**

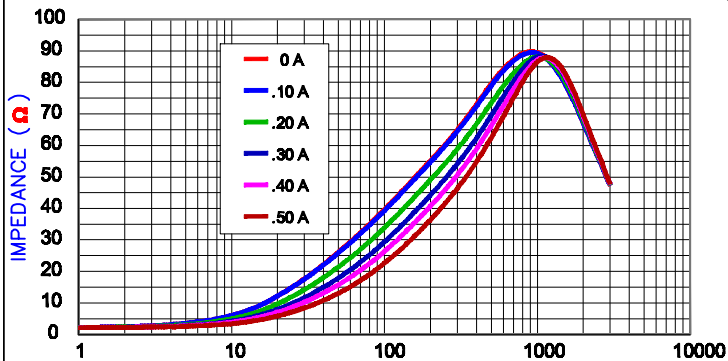
PHYSICAL DIMENSIONS:

A	1.60 [ .063 ]	+	0.15	[ .006 ]
B	0.80 [ .031 ]	+	0.15	[ .006 ]
C	0.80 [ .031 ]	+	0.15	[ .006 ]
D	0.36 [ .014 ]	+	0.15	[ .006 ]

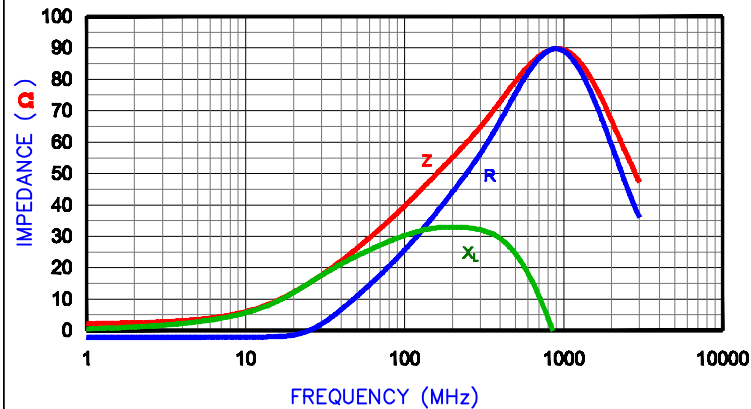


ELECTRICAL CHARACTERISTICS:			
Z @ 100MHz (Ω)	DCR (Ω)	Rated Current	
Nominal	47		
Minimum	35		
Maximum	59	0.10	500 mA

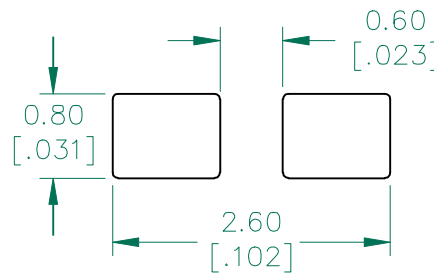
Z vs FREQUENCY  
IMPEDANCE UNDER DC BIAS



FREQUENCY (MHz)  
|Z|, R, AND X vs. FREQUENCY

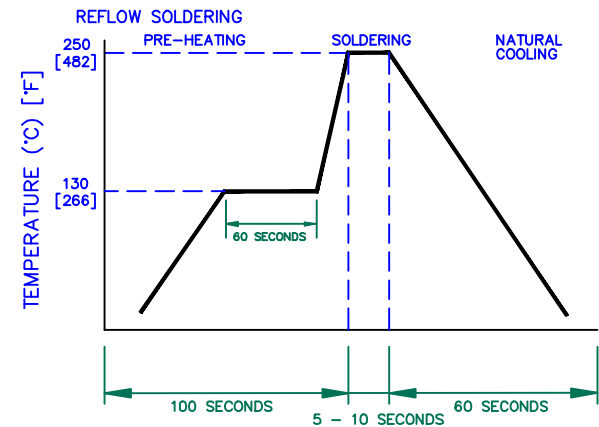


LAND PATTERNS FOR REFLOW SOLDERING



(For wave soldering, add 0.762 [ .030 ] to this dimension)

RECOMMENDED SOLDERING CONDITIONS



DIMENSIONS ARE IN mm [INCHES].				This print is the property of Laird Tech. and is loaned in confidence subject to return upon request and with the understanding that no copies shall be made without the written consent of Laird Tech. All rights to design or invention are reserved.			
PROJECT/PART NUMBER:				REV			
LI0603E470R-10				B			
PART TYPE:				DRAWN BY:			
CO-FIRE				JRK			
DATE:				SCALE:			
03/29/06				-			
CAD #				TOOL #			
LI0603E470R-10-B				-			
REV				DESCRIPTION			
DATE				INT			
07/14/08				JRK			
03/29/06				JRK			
DATE				SHEET:			
03/29/06				2 of 2			

